

# The new CO2 laser generation.

Professional solutions for diverse industries.



V 6.2

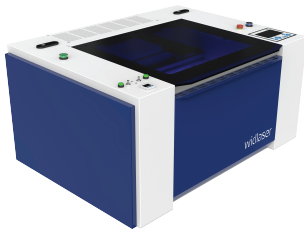
**WIDINOVATIONS, LDA** • Rua da Indústria, N° 119 • 4755-417 Barcelos, Portugal

 [www.widinnovations.pt](http://www.widinnovations.pt)  [geral@widinnovations.pt](mailto:geral@widinnovations.pt)  +351 253 814 700  
Portuguese national phone number.

 **inovadora**



# Main specifications



## **Dimensions (W x L x H)**

980 x 740 x 500 mm

## **Weight (KG)**

82 kg

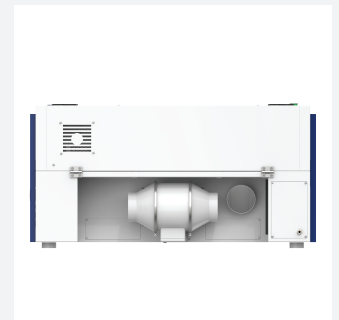
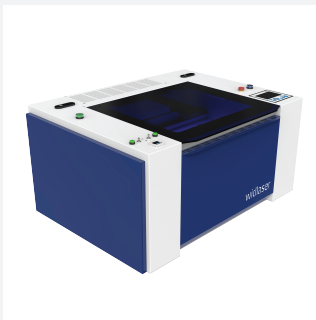
## **Power Supply**

AC 240v 50/60Hz

## **Laser Type**

CO2 RF laser tube

- Working area:
  - Dimensions: 508 × 305 x 110 mm
  - Features: isolated from other components; work area brightness adjustment
- CO2 RF 30W laser, with automatic air cooling
- Temperature sensor
- Automatic fume extraction
- Automatic dual air pressure system
- Positioning pointer
- Height-adjustable table: up to 110 mm
- Autofocus: automatic height adjustment
- Honeycomb table
- Objects / waste collection drawer
- Access sensors on all doors
- Power control: 1 to 100%
- Maximum speed: 1500 mm/sec
- Resolution: up to 1000 DPI
- Customized RDWorks V8 software
- Files: AI, DST, PLT, BMP, DXF
- Connectivity: USB and Network
- 2" lens
- CCD camera for job alignment and contour acquisition



# Optional specifications

- Rotary Device
- Air Purifier
- LightBurn software
- 1.5" lens
- 2.5" lens
- 4" lens
- Vacuum table